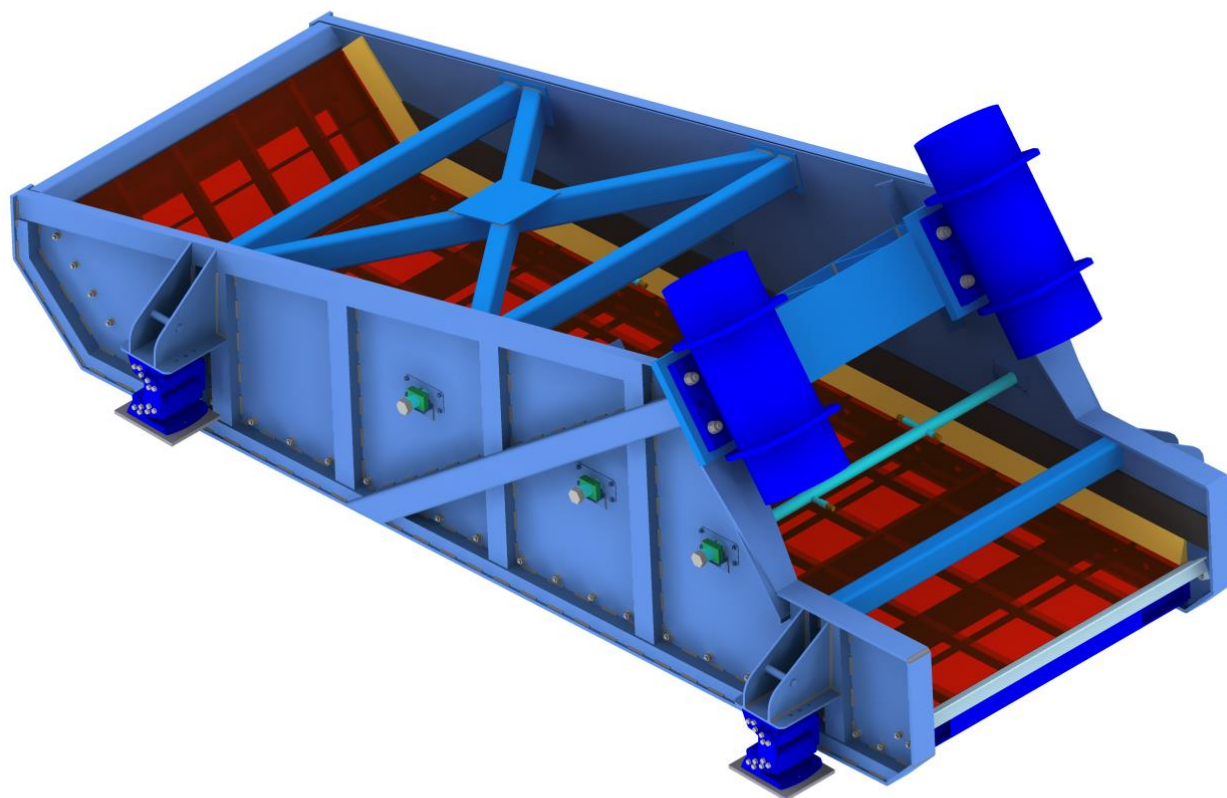


# VIBRATING DEWATERING SCREENS VDP SERIES



**B.S.I. srl**  
SOCIETA' BRESCIA IMPIANTI



## VIBRATING DEWATERING SCREENS VDP SERIES

### MAIN TECHNICAL DATA

SIZE	DECKS N.	DECKS DIMENSION mm	MAX SIEVES OPENING (1) mm	MAX FEED SIZE (1) mm	MOTOR SIZE kW	INCL. °	WEIGHT (empty) (2) Kg
VDP 0511	1	500 x 1000	8	30	2 x 0.6	5	350
VDP 1021	1	1000 x 2000	8	50	2 x 2.0	5	1000
VDP 1231	1	1200 x 3000	4	100	2 x 3.1	5	1650
VDP 1541	1	1500 x 4000	4	150	2 x 7.5	3	3900
VDP 1841	1	1800 x 4000	4	150	2 x 8.5	3	4700

1) Values referred to draining screens and NOT for use in cyclone and sands recovery groups 2) Average value with sieves  
The features indicated are not binding and the BSI reserves the right to edit them for commercial reasons without notice. For the size of the machines, please contact the BSI specifying the type of your interest.

These screens are particularly suitable for elimination of water in excess in products obtained by screening and washing treatment or coming from desliming and washing processes. They are also used in cyclone and sands recovery groups.

### TECHNICAL FEATURES

- **vibrating body** of considerable strength and rigidity. All components are joined together by bolting or by welding according to the size of the machine. In case of welded body is planned the treatment of distension.
- **vibratory mechanism** consists of a pair of electric vibrators, counter-rotating to obtain a unidirectional vibration, equipped with eccentric weights.
- **eccentric weights**, adjustable, when the machine is stopped, to change the vibration excursion according to product to select.
- **steel springs or special rubber shock absorber**, according to machine size. Springs or special rubber shock absorber provided, are complete of supporting plates to place on supporting frame of the machine (Optional).
- **screening desks**, equipped with polyurethane having variables screening lights, chosen from time to time, according to the type of material treated.
- **grease lubrication**.
- **base frame** (optional) to support the vibrating body, of considerable strength and rigidity, is equipped with support legs with plates.

